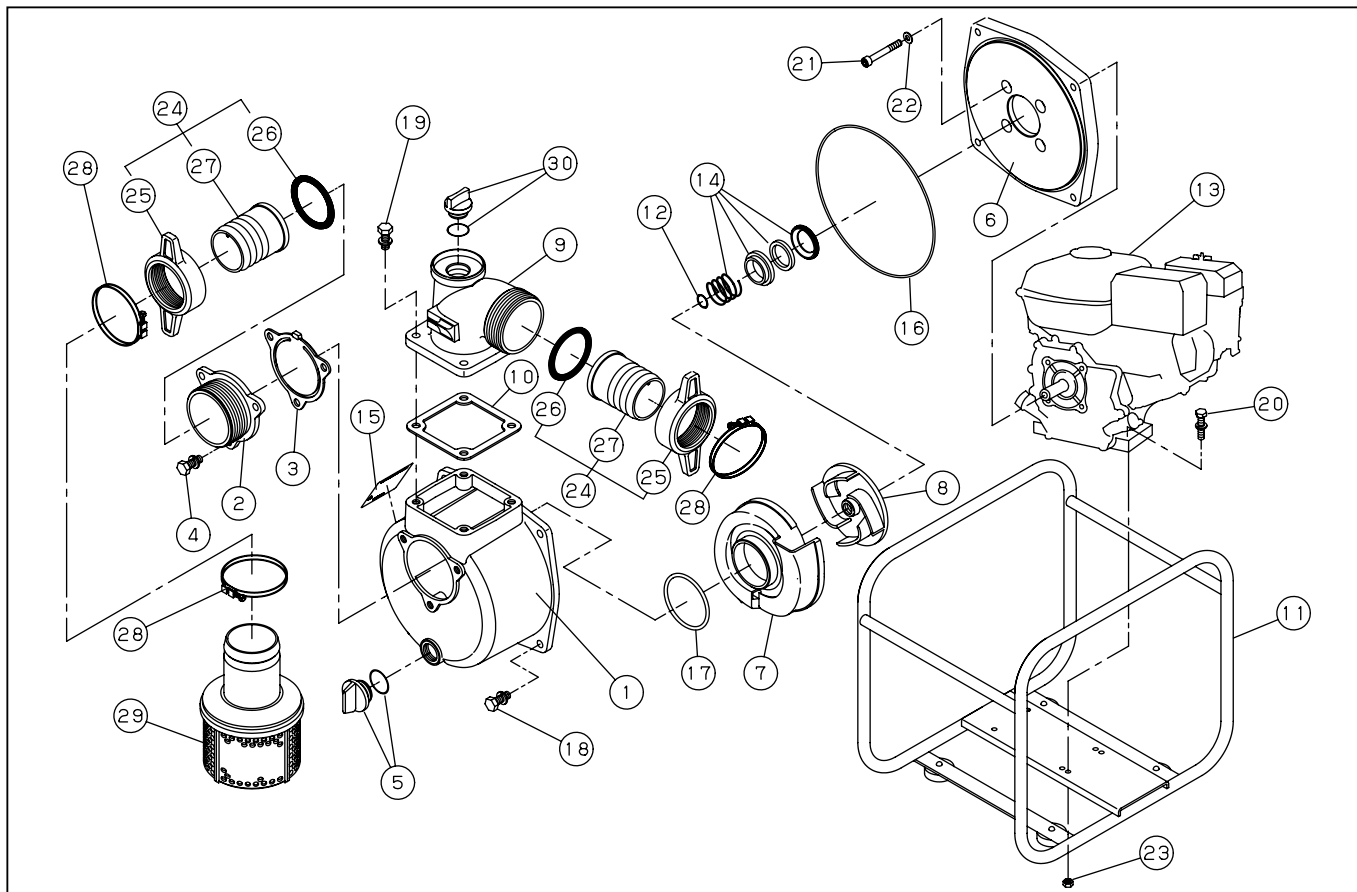


# SERH-50B ( BAB / BAE / BAG / BAJ )



No	PARTS CODE	PARTS NAME	QTY	MATERIAL	SIZE	REMARKS
1	011418402	PUMP CASING	1	ADC		
2	011400301	SER-40 SUCTION FLANGE	1	ADC		
3	011279901	CHECK VALVE	1	NBR		
4	743119061	BOLT M10X25	3	SWRM	M10X25	
5	011807902	25A PLUG SET	1			
6	011056802	FLANGE BRACKET	1	ADC		
7	011281803	VOLUTE CASING	1	FC-20		
8	011286101	IMPELLER	1	FC-20		
9	011420901	DELIVERY FLANGE	1	ADC		
10	011058402	FLANGE PACKING	1	CR		
11	011704301	SERH-50B-BAB BASE SET	1			
12	011049102	IMPELLER ADJUSTING WASHER	3	BSP		
13		GX160 ENGINE	1	HONDA		
14	011086302	MECHANICAL SEAL	1	HG9A-MN (H)	φ20	
15		NAME PLATE	1			
16	011501601	O-RING 1517-51.5	1	NBR	1517-51.5	
17	011398901	O-RING P74	1	NBR	P74	
18	743119078	BOLT M12X30	4	SWRM	M12X30	
19	743119063	BOLT M10X30	4	SWRM	M10X30	
20	743119053	BOLT M8X40	4	SWRM	M8X40	
21	734532076	SOCKET BOLT M8X60	4	SCM	M8X60	
22	854255008	SEAL WASHER	4		φ8	
23	827419008	NUT M8	4	SWRM	M8	
24	011702603	COUPLING SET	2	ABS		
25	011339002	COUPLING	2	ABS		
26	011339101	COUPLING PACKING	2	NBR		
27	011035605	HOSE NIPPLE	2	ABS		
28	940019060	HOSE BAND	3		φ 60	
29	011804703	STRAINER	1	PP		
30	011807802	20A PLUG SET	1			
	011476909	SEH CE OPERATION MANUAL (5LANGS)	1			

\* Bare engine can not be supplied